



Crystal elements with refined geometries merge with structures engineered for optimal lighting performance, creating a dialogue of character and personality. These pieces assert a strong visual presence while delivering exceptional lighting solutions.

Materials: Metal, glass

Light Source: LED (led driver included)

CCT

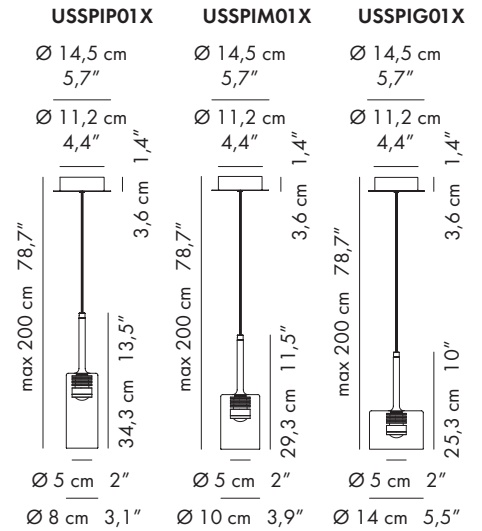
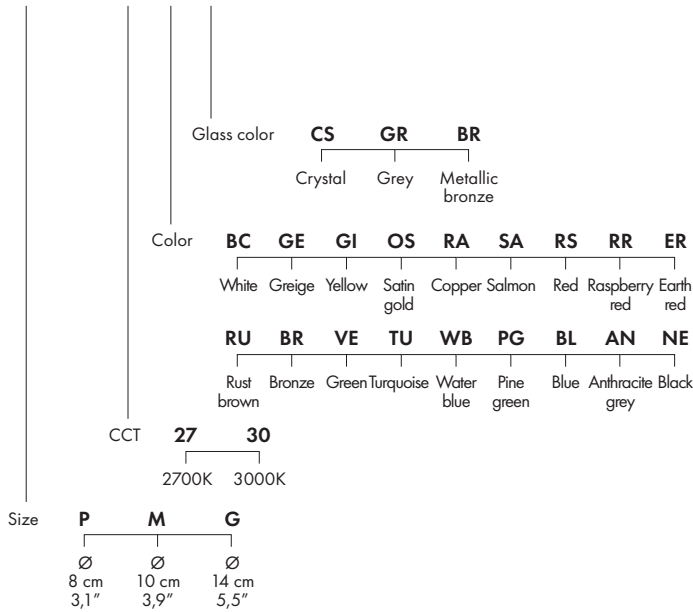
2700K _ 590 lm

3000K _ 650 lm

Glass color			Body & canopy color		
Crystal	Turquoise	Red	White	Greige	Yellow
Grey	Water blue	Raspberry red	Earth red	Satin gold	Copper
Metallic bronze	Pine green	Blue	Rust brown	Black	Green
	Anthracite grey	Black	Bronze		Salmon

Code Construction

USSPI X 01 X XX XX XX



Nominal flux (lm) of the products are estimated on the LED sources, with tolerances defined by manufacturers.