

Axolight

SPILLRAY EVO - Manuel Vivian



Dry location LED source: 7,5W Diffused beam 120-277VAC CRI 93 MADE IN ITALY



Dimmable 0 - 10V, IGBT-TRIAC, ELV



Crystal elements with refined geometries merge with structures engineered for optimal lighting performance, creating a dialogue of character and personality. These pieces assert a strong visual presence while delivering exceptional lighting solutions.

Materials: Metal, glass

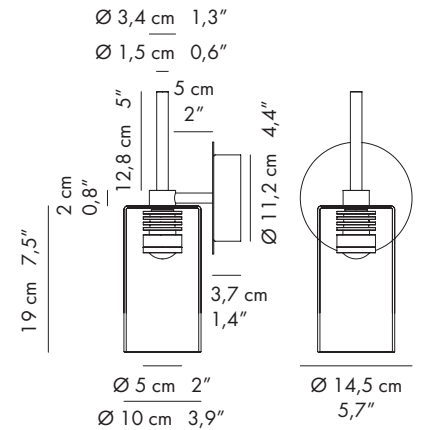
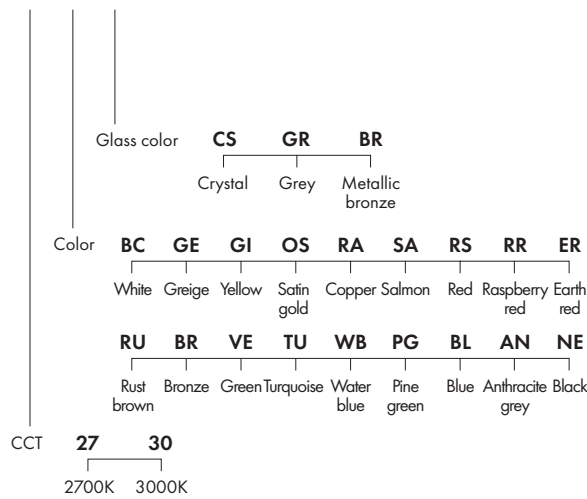
Light Source: LED (led driver included)

CCT
2700K _ 590 lm
3000K _ 650 lm

Glass color		Color					
Crystal		Turquoise		Red		White	
Grey		Water blue		Raspberry red		Greige	
Metallic bronze		Pine green		Earth red		Yellow	
		Blue		Rust brown		Satin gold	
		Anthracite grey		Bronze		Copper	
		Black		Green		Salmon	

Code Construction

UASPI X 01 X XX XX XX



Nominal flux (lm) of the products are estimated on the LED sources, with tolerances defined by manufacturers.